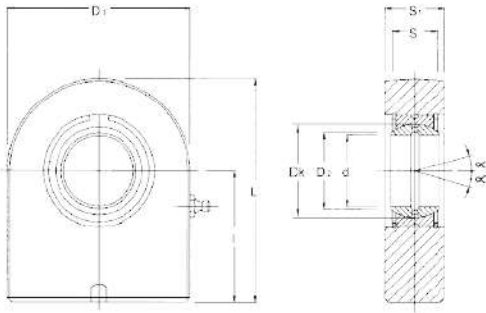


WELDABLE ROD END

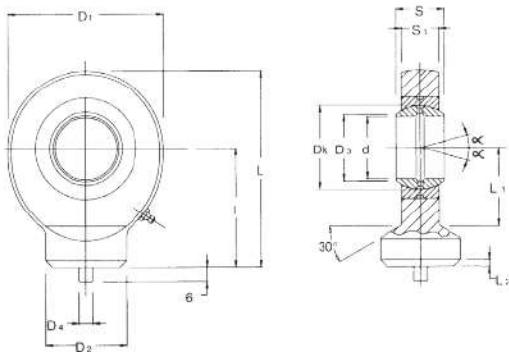


Farteks
Foreign
Trade



Weldable Rod End

CODE	d	s	i	D1	D2	S1	L	a	kg
S 20 N	20	16	38	50	24.1	19	63	9	0,360 kg
S 25 N	25	20	45	55	29.3	23	72.5	7	0,530 kg
S 30 N	30	22	51	65	34.2	28	83.5	6	0,850 kg
S 35 N	35	25	61	83	39.7	30	102.5	6	1,500 kg
S 40 N	40	28	69	101	45	35	119	7	2,420 kg
S 45 N	45	32	77	111	50.7	60	132	7	3,390 kg
S 50 N	50	35	88	123	56	40	149.5	6	4,240 kg
S 60 N	60	44	100	140	66.8	50	170	6	7,100 kg
S 70 N	70	49	115	164	77.8	55	197	6	10,700 kg
S 80 N	80	55	141	180	89.4	60	231	6	15,100 kg
S 90 N	90	60	150	226	98.1	65	263	6	23,400 kg
S 100 N	100	70	170	250	109.5	70	295	6	33,100 kg



Rod End

CODE	D	I	S	D1	D2	D3	D4	S1	L	L1	L2	a	kg
S 20 C	20	38	16	53	27.5	24.1	4	13	64.5	27.5	3	9	0,260 kg
S 25 C	25	45	20	64	33.5	29.3	4	17	77	33	4	7	0,450 kg
S 30 C	30	51	22	73	40	34.2	4	19	87.5	37.5	4	6	0,670 kg
S 35 C	35	61	25	82	47	39.7	4	21	102	43	4	6	1,020 kg
S 40 C	40	69	28	92	52	45	4	23	115	48	5	7	1,400 kg
S 45 C	45	77	32	102	58	50.7	6	27	123	52	5	7	1,930 kg
S 50 C	50	88	35	112	62	56	6	30	144	59	6	6	2,690 kg
S 60 C	60	100	44	137	70	66.8	6	38	167.5	72.5	8	6	4,600 kg
S 70 C	70	115	49	161	80	77.8	6	42	195	86	10	6	7,000 kg
S 80 C	80	141	55	180	95	89.4	6	47	231	98	10	6	11,000 kg